

CXS-7777

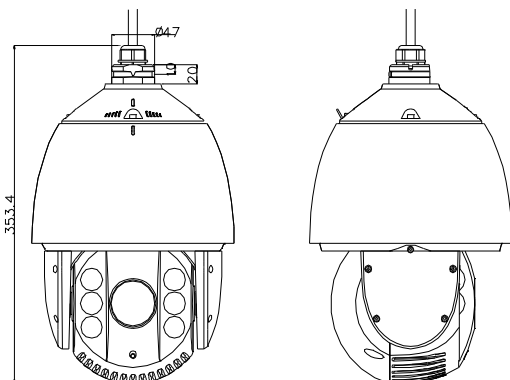
IR High Speed Dome Sony CCD 600TVL with 368x Zoom



Key features

- 0 Lux minimum illumination
- Up to 100m IR distance
- IR light MTBF reaching up to 30,000 hours
- 1/4" high performance Sony CCD
- $\pm 0.1^\circ$ preset accuracy
- 3D intelligent positioning function
- 600 TVL Horizontal Resolution
- IP66 Standard (outdoor dome)
- Auto focus, auto white balance
- Auto /manual day & night switch
- 360° endless pan range and -5° - 9° tilt range
- Proportional zoom function
- 8 patrol, up to 32 presets per patrol

Dimensions



Unit : mm

Specifications

Model		CXS-7777 (Outdoor, PAL / NTSC)	
Parameter		E Series Speed Dome	
Camera	Image Sensor	1/4" CCD	
	Effective Pixel	PAL: 752(H)×582(V) NTSC: 768(H)×494(V)	
	Horizontal Resolution	Color: 540 TVL B/W: 600 TVL	
	Signal System	PAL / NTSC	
	Min. illumination	Color: 0.1Lux@(F16, AGC ON) B/W: 0.01Lux@(F16, AGC ON) 0 Lux with IR	
	White Balance	Auto / Manual / ATW / Indoor / Outdoor	
	AGC	Auto / Manual	
	S / N Ratio	≥ 50 dB	
	DNR	High/Medium/Low/off	
	WDR	128x(On/Off/Auto)	
	Shutter Time	PAL: 1-1/10,000s NTSC : 1-1/10,000s	
	Day & Night	IR Cut Filter	
	Digital Zoom	16x	
	Privacy Mask	8 privacy masks programmable; a maximum of 8 zones can be masked simultaneously on the same video screen	
Focus Model	Auto / Semiautomatic / Manual		
Lens	Focal Length	3.84-88.32mm, 23 X	
	Zoom Speed	Approx. 3.0s (Optical Wide - Tele)	
	Angle of View	50.2-2.44degree(Wide - Tele)	
	Min. Working Distance	10-1000mm (Wide - Tele)	
	Aperture Range	F1.6	
Pan and Tilt	Pan Range	360°endless	
	Pan Speed	Pan Manual Speed: 0.1°/160°/s Pan Preset Speed: 240°/s	
	Tilt Range	-5°-90° (Auto Flip)	
	Tilt Speed	Tilt Manual Speed: 0.1°/120°/s Tilt Preset Speed: 200°/s	
General	Proportional Zoom	Rotation speed can be adjusted automatically according to zoom multiples	
	Number of Preset	256	
	Patrol	8 patrols, up to 32 presets per patrol	
	Pattern	4 patterns, with the total recording time not less than 10 minutes	
	Poweroff Memory	Support	
	Park Action	Preset / Patrol / Pattern / Pan / Tilt / Auto / Random / Frame / Panorama scan	
	PTZ Position Display	On / Off	
	Compass	Support , the north can be set	
	Scheduled Task	Preset / Patrol / Pattern / Pan / Tilt / Auto / Random / Frame / Panorama scan	
	Infrared	IR Range	100m
		IR irradiation angle	Automatically adjusted, depending on the zoom ratio
Input/ Output	Monitor Output	1.0V(p-p) / 75Ω, PAL or NTSC composite, BNC	
General	Menu Language	English / Chinese	
	RS485 Protocols	Pelco - P, Pelco - D, self-adaptive	
	Power	24 VAC Max. 30W (IR LED On, Heater On) Max. 24W (IR LED On) Max. 15W (IR LED Off, Heater Off)	
	Working Temperature/ Humidity	30°-65° (-22°-149°) (outdoor dome) 90% or less	
	Protection Level	IP66 standard (outdoor dome) TVS 4,000V lightning protection, surge protection and voltage transient protection	
	Mounting	Various mounting modes optional	
	Dimensions	$\Phi 245 \times 399$ mm ($\Phi 9.65' \times 15.71'$) (Outdoor)	
	Weight (approx.)	5.5kg (12.13lbs)	
Mount Option (only suitable for outdoor dome)	Short - arm wall mount: DS - 1601ZJ; Pendant mount: DS - 1661ZJ (20cm) or DS - 1662ZJ (50cm); Ceiling mount: DS - 1663ZJ		